



Single Isolated Coaxial Socket Outlet



A comprehensive selection of metal clad electrical accessory products are featured in the following pages. Electrophoretically coated plates and back boxes provide a durable and long lasting heavy duty finish to this attractive range of products.

All switch products are of modular construction allowing the installer total freedom in designing customised switching solutions according to on-site needs.

Single Isolated Coaxial Socket Outlet

Product Range

Single Isolated Coaxial Socket Outlet

CL158

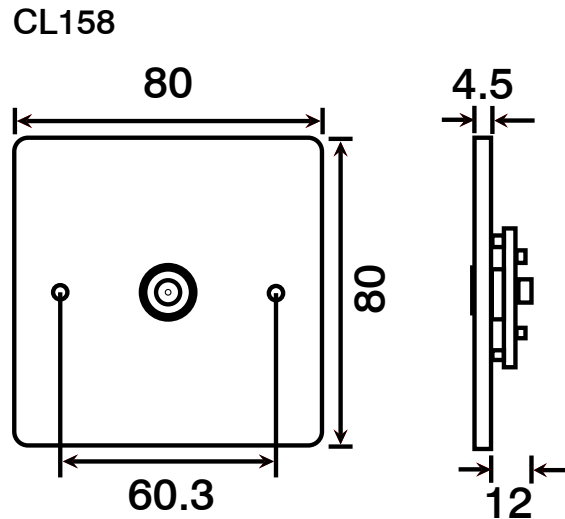
Single Isolated Coaxial Socket Outlet



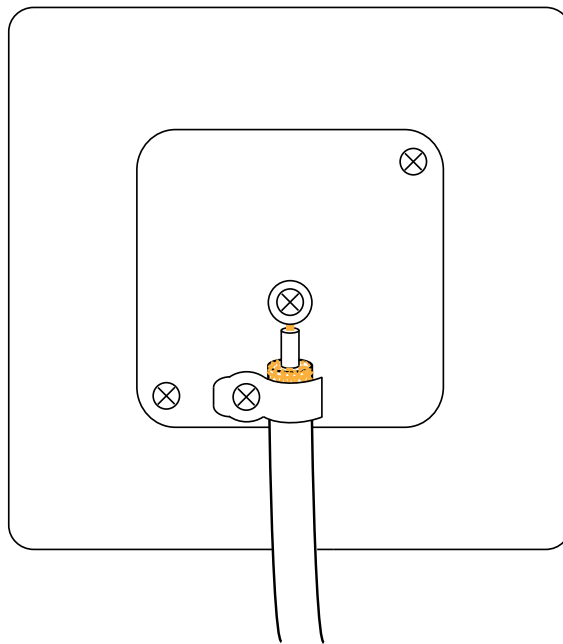
CL158

Single Isolated Coaxial Socket Outlet

Product Dimensional Drawings (mm)



Product Wiring Diagram



Errors & Omissions excluded. Specification is subject to change without notice.

V1.0

Scolmore International Ltd, 1 Scolmore Park, Landsberg, Lichfield Road Ind. Estate, Tamworth, Staffordshire, B79 7XB

Telephone: 01827 63454

E-mail: sales@scolmore.com, technical@scolmore.com

Facsimile: 01827 63362

Website: www.scolmore.com

Single Isolated Coaxial Socket Outlet

Technical Specification

Single Isolated Coaxial Socket Outlet

Material Composition	Front Plate & Back Box: Electrophoretically Coated Steel
	Terminals: Brass
	Terminal Screws: Steel & Yellow Passivated
Back Box Depth	40mm Supplied
Knockout Size	20mm
Warranty	10 Years
IP Rating	IP20
Operational Temperature	-5° to +40°C
Standards	The Low Voltage Directive 2006/95/EC BS 5733:1995 (where applicable)

Additional Information

Isolated: Incoming signal is allowed to pass through from the aerial but the return signal is blocked i.e. communal dish or aerials. The terminals are not screened / sheilded.

DECLARATION OF CONFORMITY

1. *Issuer Name* Scolmore International Limited
2. *Issuer Address* 1 Scolmore Park, Landsberg,
Lichfield Road Industrial Estate,
Tamworth, Staffordshire, B79 7XB
3. *Object(s) of Declaration* Metal Clad Range
- a. *Group* Television & Satellite Socket Outlet
- b. *Model No.* CL158
4. *The object of the declaration described above is in conformity with the requirements of the following Legislations:*
- | Document No | Title |
|-------------|-----------------------|
| 2006/95/EC | Low Voltage Directive |

5. *All products contained within the aforementioned comply with the relevant standards and requirements listed below.*

BS 5733 : 1995 (where applicable)

6. *I hereby declare that the equipment named above has been designed to comply with the relevant sections of the above referenced specifications. The unit complies with all applicable Essential Requirements of the Directives.*

In conjunction with the above all manufacture and process controls are in accordance with ISO 9001:2008

Signed, for and on behalf of: Scolmore International Limited



Steven Bettson BSc - Senior Technical Support Engineer

CE 13